

COMPACT 10 DX
COMPACT 12 DX

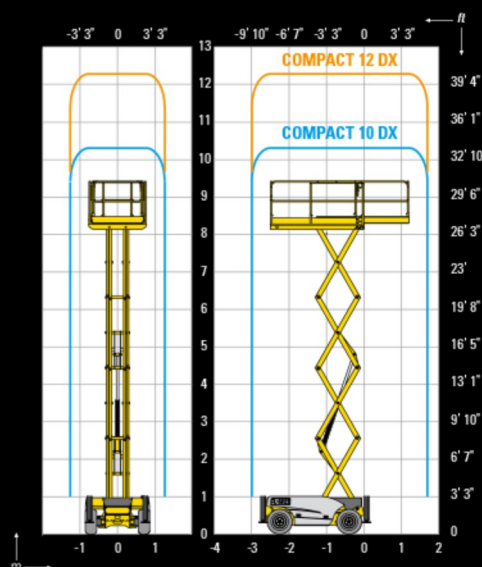


Exceptional productivity:

- Full proportional controls
- Narrow turning radius
- Robust, reliable and easy to maintain

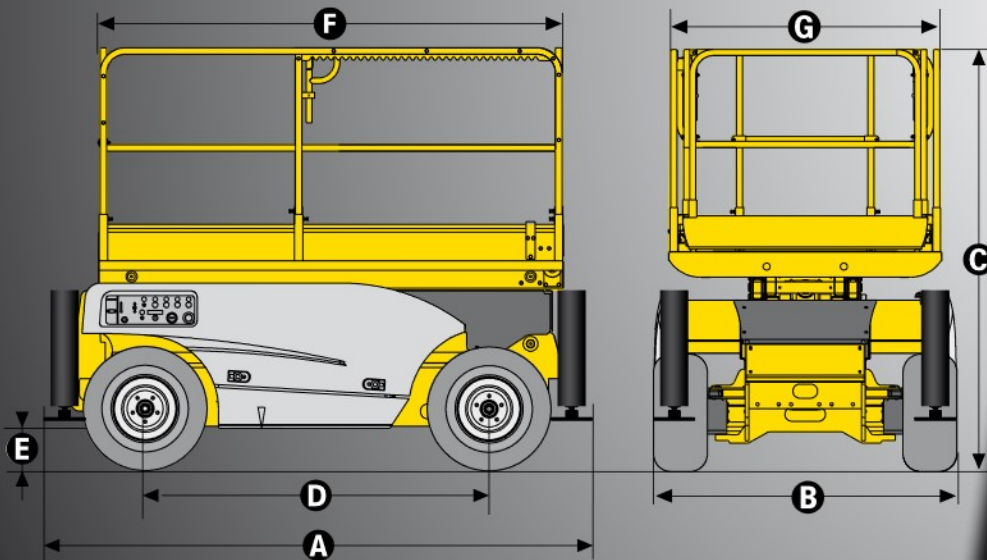
Outstanding rough terrain driving features

- 4 wheel drive
- Hydraulic differential lock
- Excellent gradeability (40%).
- Ground clearance of 25 cm



COMPACT 10 DX / COMPACT 12 DX

ROUGH TERRAIN SCISSOR LIFTS



TECHNICAL DATA

Compact 10 DX Compact 12 DX

Working height	10.15 m	12.15 m
Platform height	8.15 m	10.15 m
Driveable at full height up to	8.15 m	10.15 m
Lift capacity	565 kg	450 kg
A - Length	3.07 m	3.07 m
B - Width	1.8 m	1.8 m
C - Height - stowed	2.43 m	2.55 m
Storage height	1.57 m	1.7 m
F - Platform length	2.5 m	2.5 m
Extended platform length	3.7 m	3.7 m
Platform extension length	1.2 m	1.2 m
G - Platform width	1.54 m	1.54 m
D - Wheelbase	1.87 m	1.87 m
E - Ground clearance	25 cm	25 cm
Number of extensions	1	1
Drive speed	0,8 - 5,5 km/h	0,8 - 5,5 km/h
Turning radius - outside	3.73 m	3.73 m
Lift / lower speed	31 s / 27 s	45 s / 40 s
Engine	20.1 kw - 27.3 hp	20.1 kw - 27.3 hp
Gradeability	40 %	40 %
Tires - foam-filled	26x12-16.5	26x12-16.5
Hydraulic system capacity	75 l	75 l
Weight	3530 kg	4080 kg

STANDARD EQUIPMENT

- Deutz engine
- 4 wheel drive with 2 front steer wheels
- 3° Tilt alarm
- 1,2m platform extension
- 12V - 74 Ah Batteries
- Removable operator's control box
- Brake release
- Hourmeter
- Towing hooks and lifting eyes
- Hydraulic brakes
- Manual platform lowering valve
- Foam filled all terrain tyres
- Automatic levelling outriggers
- Side shields
- Horn
- Lanyard attachment points

OPTIONS AND ACCESSORIES

- Non marking tyres
- Rotating beacon
- Power line in platform
- Travel alarm
- Motion alarm for movements and translation
- Working light
- Catalytic exhaust
- Biodegradable oil
- Cold Weather Package

